

TABLES

Desktop solutions according to the limits set by the room and purpose of use, in staircase and passages.

SLIDE TABLE

Steel framed table solution. Good choice when the step depth is limited. Slide table relates to the wooden box table by its usability.

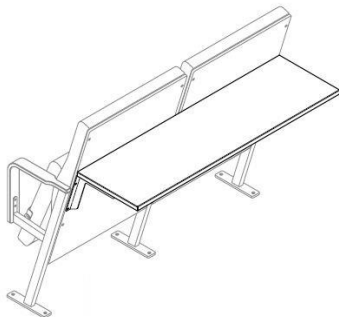
- Frame: 4 mm Steel, powder coated to desired RAL-color
- Table: 400 x 400 x 10 mm, birch plywood. Veneered or laminated surface
- Available also in full laminate
- Optional thicknesses: 12 and 15 mm



SEMI-FOLDING TABLE

A table that doubles up. Often used in renewal projects, where depth of step is small, but fixed table solution is preferable.

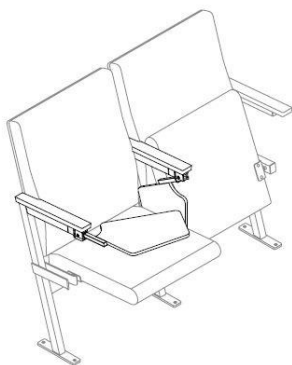
- Table: 18 mm Birch plywood. Veneered or laminated surface
- Assembled to chair back with a powder coated steel bracket.



FIXED TABLE

Fixed table has the biggest surface area, but it needs deep step to work. Can also be used on curved rows.

- Table: 19 mm mdf. Veneered or laminated surface, with solid wood lipping.
- Assembled to chair back with a powder coated steel bracket.



ARMREST TABLE

Table folds under armrest when not used. Equipped with gas spring driven "anti-panic"-function that ensures clear emergency exit route.

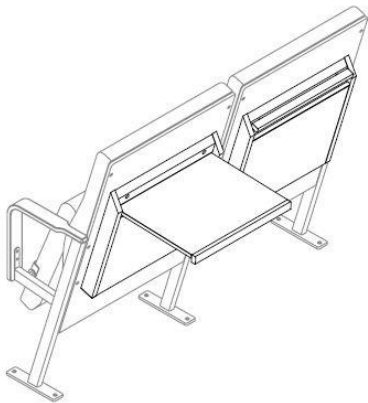
- Table: Size approx. A4-paper, 12 mm birch plywood. Veneered or laminated surface.
- Frame: Steel frame integrated to chairs leg structure.
- Gas spring 160 Nm



HINGE TABLE

Almost silent table mechanism, that works on curved rows as well. Veneered/laminated table folds parallel to the back it's mounted on. Good choice when the step depth is limited.

- Mechanism: Powdercoated steel, 3 mm
- Table: Size 400 x 320 x 20 mm, 19 mm mdf. Veneered or laminated surface, with solid wood lipping.

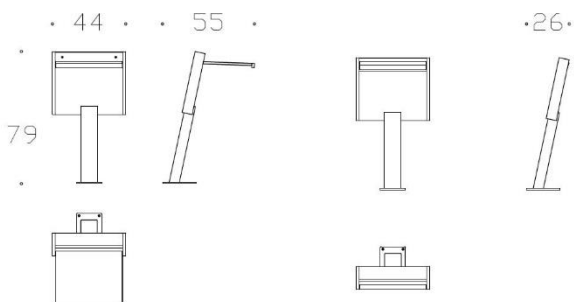


BOX TABLE

A table that folds in a wooden case. Good choice when the step depth is limited.

- Casing: Solid wood/veneered plywood, size 440 x 426 x 48 mm
- Table: Size 400 x 350 x 12 mm birch plywood. Veneered or laminated surface, with lipping.

Note WB



NoteWB

A Solution that can be used in case, that table is not possible to mount directly to chairs backrest, i.e. high steps.

- Frame/leg: Powder coated steel. Option for integrating. Power socket and/or LAN .
- Casing: Solid wood/veneered plywood
- Table: 12 mm birch plywood. Veneered or laminated surface, with lipping.