



DRAMA

Drama is a comfortable chair with a curved plywood backrest. The theatre model comes with steel legs or upholstered side panels.

Construction: Steel tube 40 x 20 mm. The seat works with counterweight placed above seat inside the upholstery. Seat upholstered, with veneered plywood/perforated seat bottom or fully upholstered. Front of the form-pressed curved, veneered backrest upholstered.

Writing tablet: NoteWB

Armrests: Steel armrest with solid wood or 9 mm plywood upholstered with fabric or leather.

Foams: Seat 10 cm CMHR50, back 3 cm shaped CMHR35

Angle of back: 16 degree

Wooden parts: Birch, beech, ash, maple, oak etc. lacquered, stained or painted with the desired color

Metal parts: Epoxy painted with the desired RAL color

Fabric demand: 1.2 m / pcs



EDU

Edu auditorium seats have molded plywood seat and back. Edu takes up less than 30 cm of depth and so it is especially suitable for smaller spaces.

Construction: Steel tube 30 x 40 mm. The seat works with the counterweight placed under the seat. 12 - 15 mm plywood or laminate surfaced seat and back. Upholstered or without upholstery.

Foams: 3 cm in the seat and 1 cm in the back

Angle of back: 11 degrees

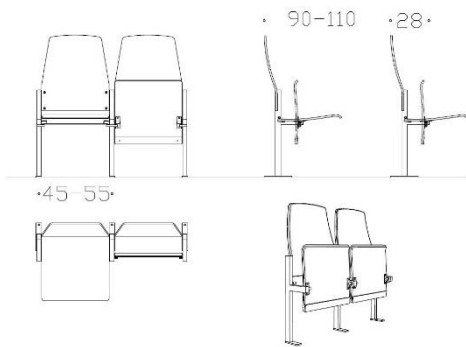
Armrests: Wooden armrest L shaped or without armrest

Writing tablet: Fixed table on the back of the chair. Foldable tablet under the armrest.

Wooden parts: Birch, beech, ash, maple, oak etc. lacquered, stained or painted with the desired color

Metal parts: Epoxy painted with the desired RAL color

Fabric demand: 0.65 m / pcs





EduWall and Edu

EDUWALL

EduWall auditorium seat has molded plywood seat and back. EduWall takes up less than 30 cm of depth and so it is especially suitable for smaller spaces and where open floor area is needed.

Construction: Steel plate 5 mm. The seat works with the counterweight placed under the seat. 12 - 15 mm plywood or laminate surfaced seat and back. Upholstered or without upholstery.

Armrests: Wooden armrest L shaped or without armrest

Foams: 3 cm in the seat and 1 cm in the back

Angle of back: 11 degrees

Writing tablet: No table

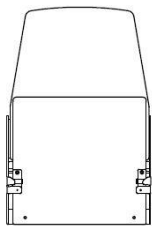
Wooden parts: Birch, beech, ash, maple, oak etc. lacquered, stained or painted with the desired color

Metal parts: Epoxy painted with the desired RAL color

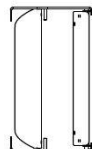
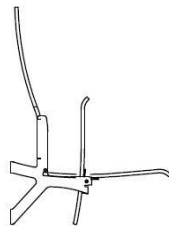
Fabric demand: 0.65 m / pcs

Edu Wall

• 51 •



• 30 •





FORM

Form is designed by Jukka Setälä. It has a completely upholstered seat and back.

Construction: Steel tube 30 x 40 mm. The seat works with counterweight placed above seat inside the upholstery. Form-pressed seat and backrest, both sides upholstered.

Writing table: NoteWB

Armrests: Steel armrest. Option armrest with solid wood, fabric or leather surface.

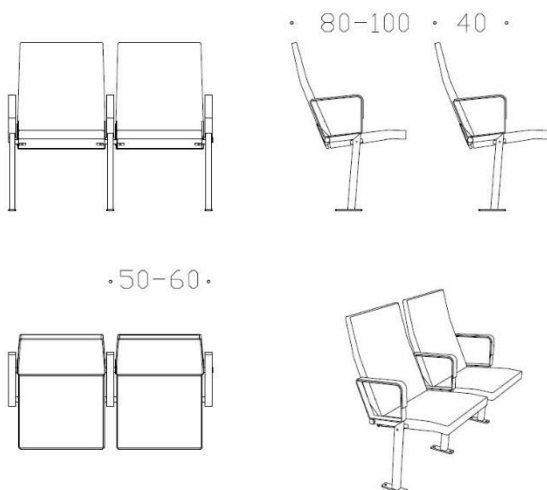
Foams: Seat 5 cm CMHR50, back 4 cm CMHR35

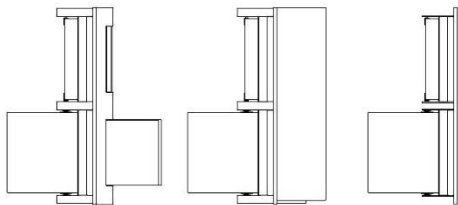
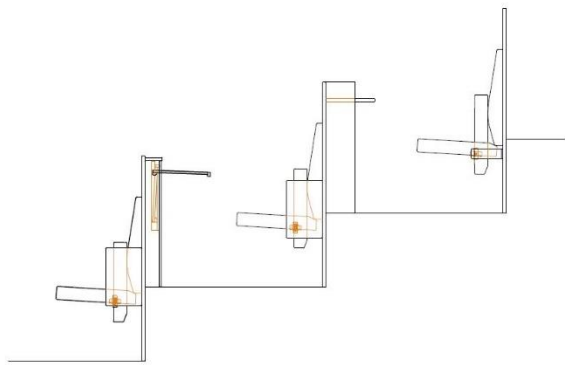
Angle of back: 15/24 degrees

Wooden parts: No visible wooden parts

Metal parts: Epoxy painted with the desired RAL color

Fabric demand: 1.2 m / chair





HLA-WALL

HLA-Wall lecture room chair is designed in co-operation with Henning Larsen Architects. HLA-Wall is a solution especially designed for high step rises. It has good ergonomic properties, and it is suitable with almost all types of desktop and armrests solutions. High panel plates are included in the delivery.

Construction: Steel frame wall mounted without separate legs. The seat works with counterweight placed above seat inside the upholstery. The underside of the seat can be upholstered or in plywood/perforated. The backrest upholstered, foam is shaped to give good seating comfort. The back is mounted to the panel plates.

Writing tablet: All types are available except table in armrest.

Armrests: Wooden armrest straight or L shaped, or upholstered armrest panels. Also without armrest.

Foams: Seat 5 cm CMHR50, back 4 cm/6 cm CMHR35

Angle of back: 12 degrees

Wooden parts: Birch, beech, ash, maple, oak etc. lacquered, stained or painted with the desired color

Metal parts: Epoxy painted with the desired RAL color

Fabric demand: 1.0 m / pcs



ODEON

Odeon is a seat designed by Jouko Järvisalo. It has good ergonomics and can accommodate a writing top inside the armrests.

Construction: Wooden side panels 60 mm. The seat works with counterweight placed above seat inside the upholstery. Seat upholstered, with veneered plywood/perforated seat bottom or fully upholstered. Back upholstered, background 9 mm veneered plywood with solid wood lists around.

Writing tablet: Armrest tablet in the side panel or several options on the back of the chair.

Armrests: On the side panel.

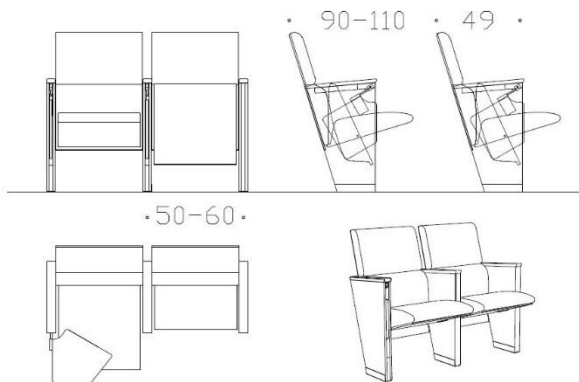
Foams: Seat 5 cm shaped CMHR50, back 8 / 5 cm shaped CMHR35

Angle of back: 17 degrees

Wooden parts: Birch, beech, ash, maple, oak etc. lacquered, stained or painted with the desired color

Metal parts: Epoxy painted with the desired RAL color

Fabric demand: 1.2 m / pcs





PORI

Pori auditorium seat has a molded back and U-form armrests. It is especially suited for premises where the staircase rises steeply.

Construction: Steel tube 30 x 40 mm. The seat works with counterweight placed above seat inside the upholstery. Seat upholstered, with veneered plywood/perforated seat bottom or fully upholstered. Back upholstered, background 15 mm form-pressed veneered plywood.

Writing tablet: All types available

Armrests: U or L shaped or without

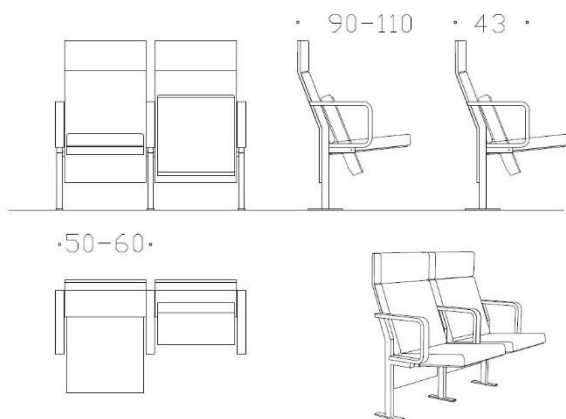
Foams: Seat 5 cm CMHR50, back 3 cm CMHR35

Angle of back: 21 degrees

Wooden parts: Birch, beech, ash, maple, oak etc. lacquered, stained or painted with the desired color

Metal parts: Epoxy painted with the desired RAL color

Fabric demand: 1.0 m / pcs





PRIMO

Primo is a well-formed basic seat with good ergonomic properties. Primo has been delivered in various versions for different types of applications, from schools to theatres. It can be used with all types of desktop solutions, such as armrests that fold down or tables attached to the back of the seat. The ergonomic Primo family also includes PriMove, moveable bench solution, and Primo telescopic chair.

Construction: Steel tube 30 x 40 mm. The seat works with counterweight placed above seat inside the upholstery. The underside of the seat can be upholstered or veneered plywood/perforated. The backrest is upholstered, foam shaped to give good seating comfort. Background is 9 mm veneered plywood.

Writing tablet: All types available

Armrests: Wooden armrest straight or L shaped or without armrest

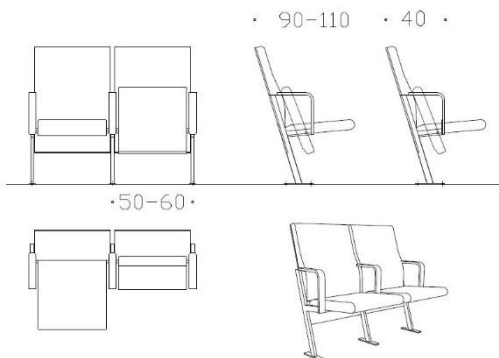
Foams: Seat 5 cm CMHR50, back 4 cm/6 cm CMHR35

Angle of back: 12 or 17 degrees

Wooden parts: Birch, beech, ash, maple, oak etc. lacquered, stained or painted with the desired color

Metal parts: Epoxy painted with a desired RAL color

Fabric demand: 1.1 m / pcs





PRIMOVE

Layout can easily be modified with PriMove auditorium seat by stamping the benches either up and down. PriMove is very effective to store and it has possibility to standard armrest table or all other tables behind the backrest. The ergonomic Primo family also includes Primo auditorium chair and telescopic chair.

Construction: Steel tube 30 x 40 mm. The seat works with counterweight placed above seat inside the upholstery. The underside of the seat can be upholstered or veneered plywood/perforated. The backrest is upholstered, foam shaped to give good seating comfort. Background is 9 mm veneered plywood.

Writing tablet: All types available

Armrests: Wooden armrest straight or L shaped or without armrest

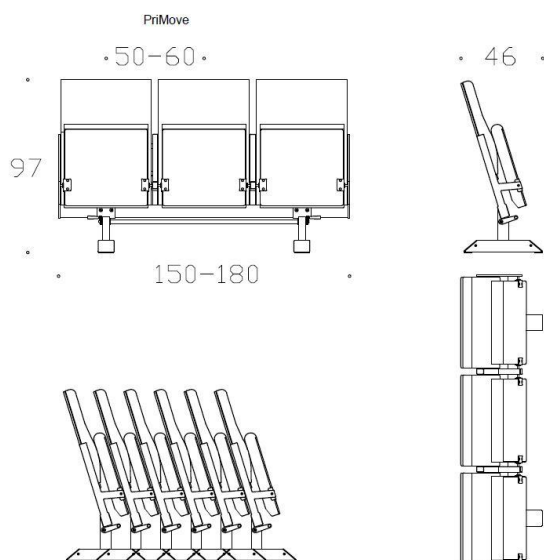
Foams: Seat 5 cm CMHR50, back 4 cm/6 cm CMHR35

Angle of back: 17 degrees

Wooden parts: Birch, beech, ash, maple, oak etc. lacquered, stained or painted with the desired color

Metal parts: Epoxy painted with the desired RAL color

Fabric demand: 1.1 m / pcs



PRIMO Telescopic

Telescopic Primo is available in 3 or 4 seat modules. Release pedals are located on both ends of the module. Up and down movement is assisted with gas springs, to ensure easy handling, when folding the module. The ergonomic Primo family also includes Primo auditorium chair and PriMove moveable bench solution.

Construction: Steel tube 30 x 40 mm. Ends 8 mm laser-cut steel plates. Seat movement with springs. The underside of the seat can be upholstered, veneered plywood/perforated. The back foam is formed to give a good seating comfort. Background 9 mm veneered plywood.

Writing tablet: All types, which can be assembled to the backrest are available. Note: will effect step height.

Armrests: Small wooden straight or L shaped. Also without armrest.

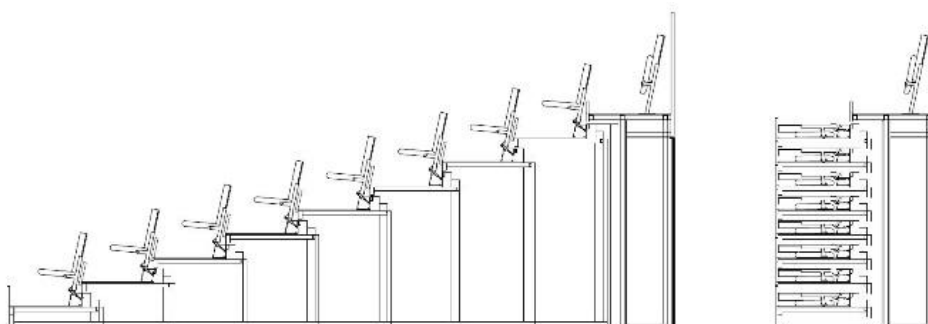
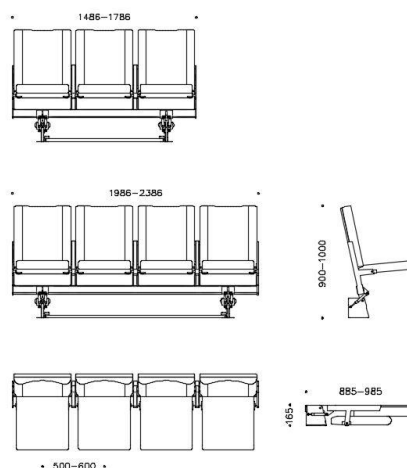
Foams: Seat 5 cm CMHR50, back 4 cm/6 cm CMHR35

Angle of back: 12 or 17 degrees

Wooden parts: Birch, beech, ash, maple, oak etc. lacquered, stained or painted with the desired color

Metal parts: Epoxy painted with a desired RAL color

Fabric demand: 1.1 m/ pcs





SLIM

Slim auditorium chair has a form-pressed back, a solid wood armrest and an elegant steel leg. Slim is designed by Timo Ripatti.

Construction: 10 mm Laser cut steel leg. The seat works with counterweight placed above seat inside the upholstery. Fully upholstered seat or with wooden underside. Back upholstered, background 12 mm form-pressed veneered plywood.

Writing tablet: Hinge table

Armrests: Solid wood armrests.

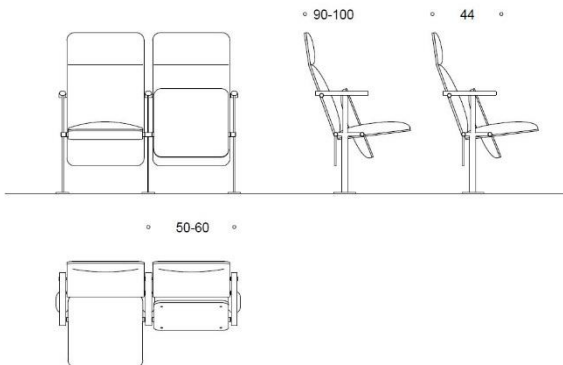
Foams: Seat 5 cm CMHR50, back 3 cm / 5 cm CMHR35

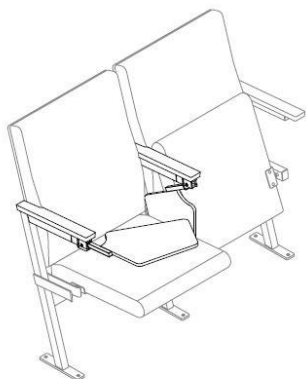
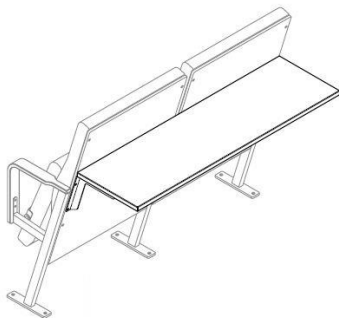
Angle of back: 20 degrees

Wooden parts: Birch, beech, ash, maple, oak etc. lacquered, stained or painted with the desired color

Metal parts: Powder coated with desired RAL color

Fabric demand: 1.0 m / chair





TABLES

SLIDE TABLE

Steel framed table solution. Good choice when the step depth is limited. Slide table relates to the wooden box table by its usability.

- Frame: 4 mm Steel, powder coated to desired RAL-color
- Table: 400 x 400 x 10 mm, birch plywood. Veneered or laminated surface
- Available also in full laminate
- Optional thicknesses: 12 and 15 mm

SEMI-FOLDING TABLE

A table that doubles up. Often used in renewal projects, where depth of step is small, but fixed table solution is preferable.

- Table: 18 mm Birch plywood. Veneered or laminated surface
- Assembled to chair back with a powder coated steel bracket.

FIXED TABLE

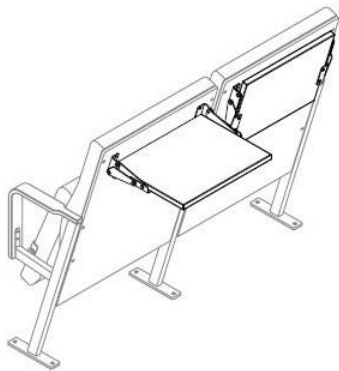
Fixed table has the biggest surface area, but it needs deep step to work. Can also be used on curved rows.

- Table: 19 mm mdf. Veneered or laminated surface, with solid wood lipping.
- Assembled to chair back with a powder coated steel bracket.

ARMREST TABLE

Table folds under armrest when not used. Equipped with gas spring driven "anti-panic"-function that ensures clear emergency exit route.

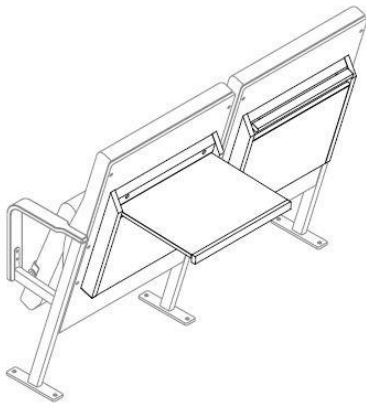
- Table: Size approx. A4-paper, 12 mm birch plywood. Veneered or laminated surface.
- Frame: Steel frame integrated to chairs leg structure.
- Gas spring 160 Nm



HINGE TABLE

Almost silent table mechanism, that works on curved rows as well. Veneered/laminated table folds parallel to the back it's mounted on. Good choice when the step depth is limited.

- Mechanism: Powdercoated steel, 3 mm
- Table: Size 400 x 320 x 20 mm, 19 mm mdf. Veneered or laminated surface, with solid wood lipping.

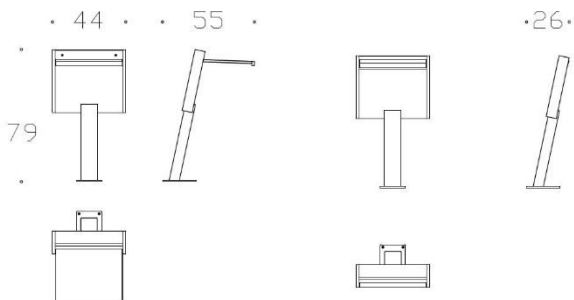


BOX TABLE

A table that folds in a wooden case. Good choice when the step depth is limited.

- Casing: Solid wood/veneered plywood, size 440 x 426 x 48 mm
- Table: Size 400 x 350 x 12 mm birch plywood. Veneered or laminated surface, with lipping.

Note WB



NoteWB

A solution that can be used in case, that table is not possible to mount directly to chairs backrest, i.e. high steps.

- Frame/leg: Powder coated steel. Option for integrating. Power socket and/or LAN .
- Casing: Solid wood/veneered plywood
- Table: 12 mm birch plywood. Veneered or laminated surface, with lipping.



SPEAKER STAND LASSARD

Wooden basic speaker's podium with shelf and practical accessories.

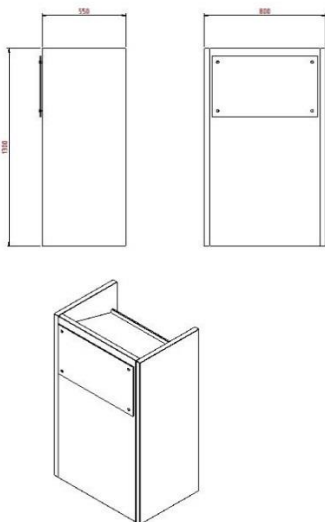
Material: Veneered LDF-board with lipping

Measures: Height 130 cm, width 80 cm, depth 55 cm

Options: LED-reading light, tempered glass in front panel for logo taping, wheels

Wooden parts: Birch, oak, maple, spruce, walnut, ash, beech, elm

Finishing: Lacquered, stained or painted with the desired color





TELESCOPIC SEATS

Telescopic stand usually available with Primo chair.
Available also other options, the chair model depends
on the structure of the auditorium.

